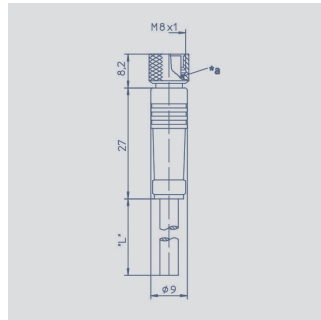


Accessories
Connector System M8

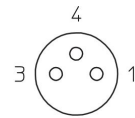
Novotechnik
Messwertaufnehmer OHG
Postfach 4220
73745 Ostfildern (Germany)
Horbstraße 12
73760 Ostfildern (Germany)
Telefon +49 711 4489-0
Telefax +49 711 4489-118
info@novotechnik.de
www.novotechnik.de



© 09/2014
Subject to change.
Printed in Germany.

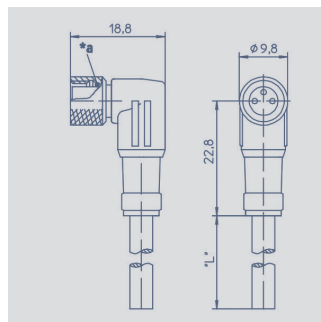


Pin assignment 1 = brown
3 = blue
4 = black

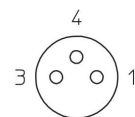


M8x1 Mating female connector, 3-pin, straight, with molded cable, not shielded, IP67, open ended

Connector housing	Plastic PA	
Cable sheath	PUR; Ø = max. 6 mm, -40 °C ... +90 °C	
Wires	PP, 3x0.34 mm ²	
Length	Type	P/N
2 m	EEM 33-64	005617
5 m	EEM 33-66	005619
10 m	EEM 33-68	005643

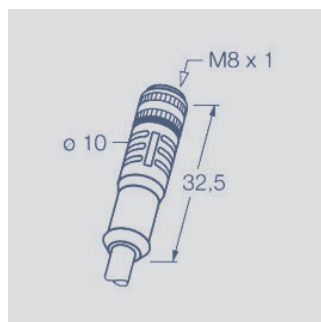
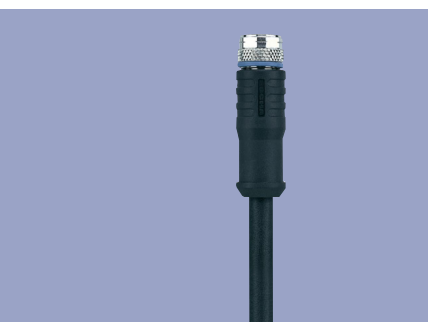


Pin assignment 1 = brown
3 = blue
4 = black

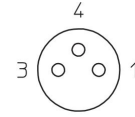


M8x1 Mating female connector, 3-pin, angled, with molded cable, not shielded, IP67, open ended

Connector housing	Plastic PA	
Cable sheath	PUR; Ø = max. 6 mm, -40 °C ... +90 °C	
Wires	PP, 3x0.34 mm ²	
Length	Type	P/N
2 m	EEM 33-65	005618
5 m	EEM 33-67	005620
10 m	EEM 33-69	005644

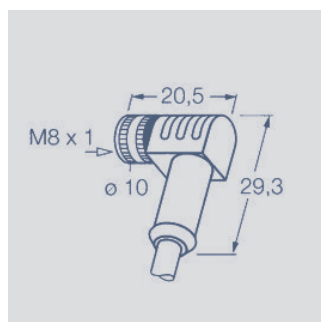


Pin assignment 1 = brown
3 = blue
4 = black

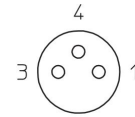


M8x1 Mating female connector, 3-pin, straight, with molded cable, shielded, IP67, open ended

Connector housing	Plastic PA	
Cable sheath	PUR; Ø = max. 6 mm, -40 °C ... +90 °C	
Wires	PP, 3x0.25 mm ²	
Length	Type	P/N
2 m	EEM 33-56	005602
5 m	EEM 33-58	005604
10 m	EEM 33-60	005606



Pin assignment 1 = brown
3 = blue
4 = black



M8x1 Mating female connector, 3-pin, angled, with molded cable, shielded, IP67, open ended

Connector housing	Plastic PA	
Cable sheath	PUR; Ø = max. 6 mm, -40 °C ... +90 °C	
Wires	PP, 3x0.25 mm ²	
Length	Type	P/N
2 m	EEM 33-57	005603
5 m	EEM 33-59	005605
10 m	EEM 33-61	005607

IP67 Protection class IP67 (DIN EN60529)
UL UL - approved

Very good Electromagnetic Compatibility (EMC) and shielded systems
 Very good resistance to oils, coolants and lubricants

Suited for applications in dragchains
a* O-Ring
b* Protective sleeve mounting

Note: The protection class is valid only in locked position with its plugs. The application of these products in harsh environments must be checked in particular cases.