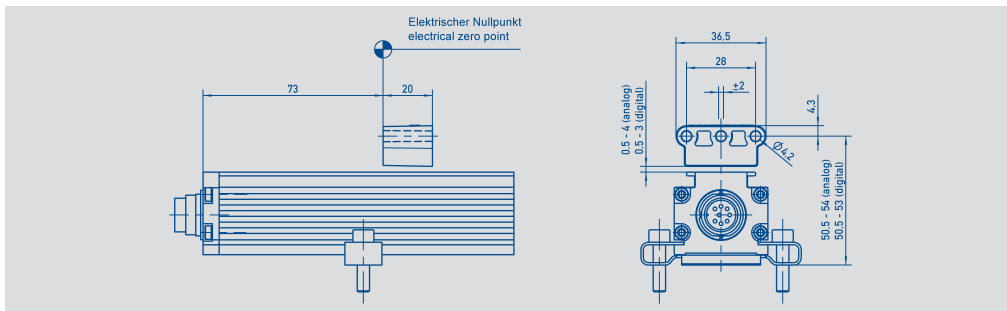


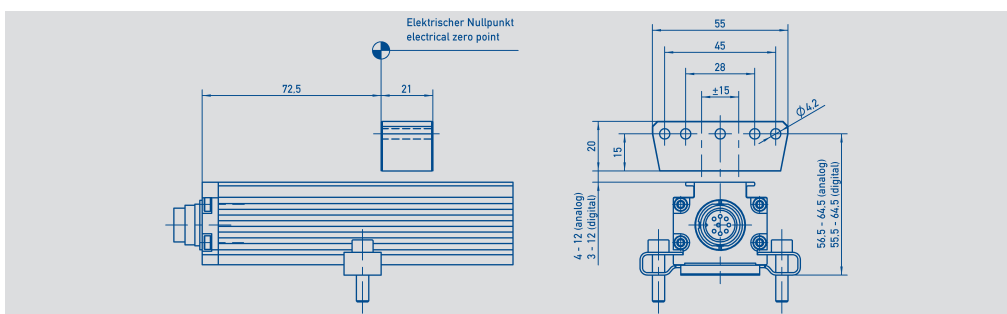
**Position Marker  
for non-contacting  
Transducers  
Profile design**

Series TP1 / TLM /



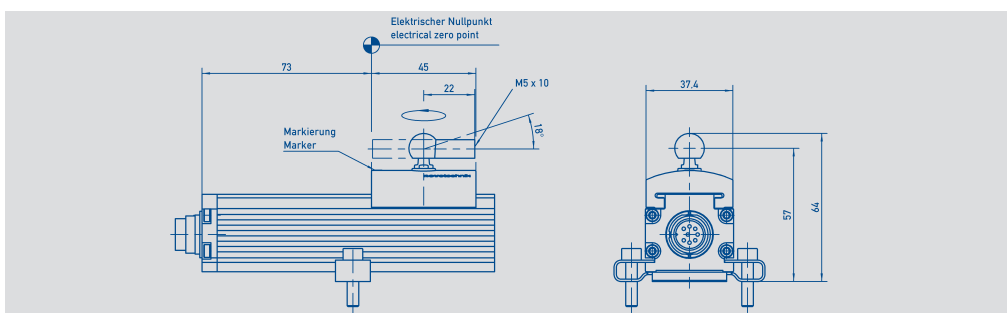
**Z-TP1-P06**

Floating position marker  
Art.No. 005693  
weight approx. 10 g.  
Working distance  
analog 0.5 - 4 mm  
digital 0.5 - 3 mm



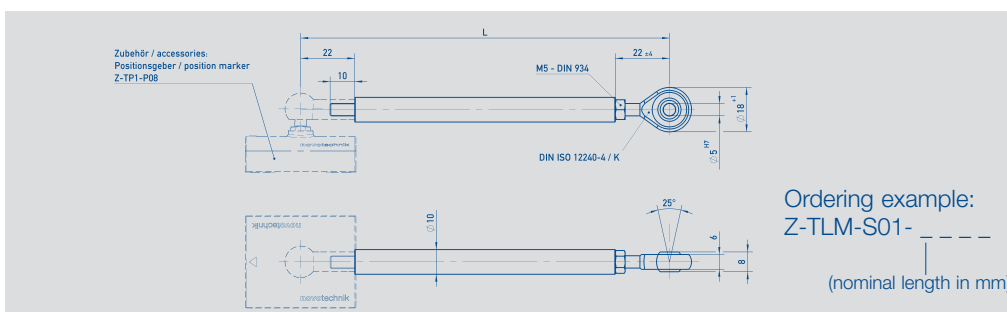
**Z-TP1-P07**

Floating position marker  
Art.No. 005694,  
weight approx. 40 g.  
Working distance  
analog 4 - 12 mm  
digital 3 - 12 mm



**Z-TP1-P08**

Guided position marker  
Art.No. 005695,  
weight approx. 30 g



**Z-TLM-S01-\_\_\_\_\_**

Actuating rod for guided  
position marker Z-TP1-P08,  
weight approx. 150 g/m  
Material aluminium.

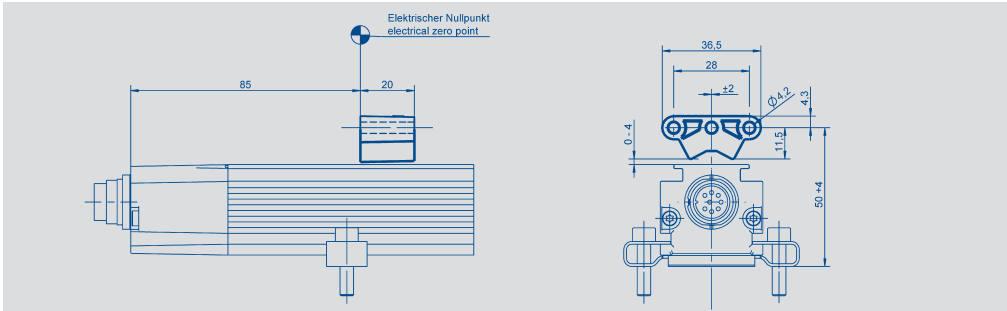
Ordering example:

Z-TLM-S01-\_\_\_\_\_ (nominal length in mm)

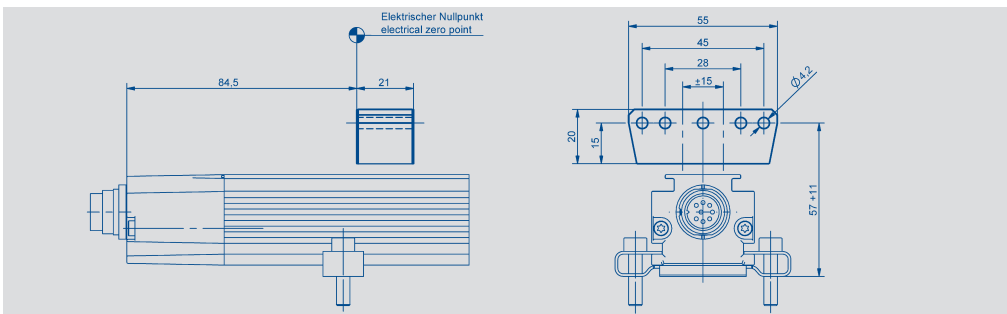
Standard nominal length (mm):  
0075, 0100, 0125, 0150,  
0200, 0250, 0300, 0350,  
0400, 0450, 0500, 0600,  
0800, 1000, 1500, 2000

Novotechnik  
 Messwertaufnehmer OHG  
 Postfach 4220  
 73745 Ostfildern (Ruit)  
 Horbstraße 12  
 73760 Ostfildern (Ruit)  
 Tel. +49 711 44 89-0  
 Fax +49 711 44 89-150  
 info@novotechnik.de  
 www.novotechnik.de

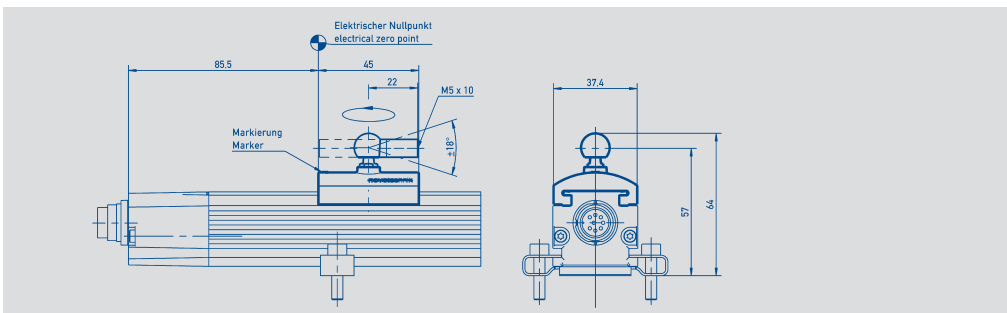
© 12/2011  
 Art.-Nr.: 062 700.1  
 Subject to changes  
 Printed in Germany



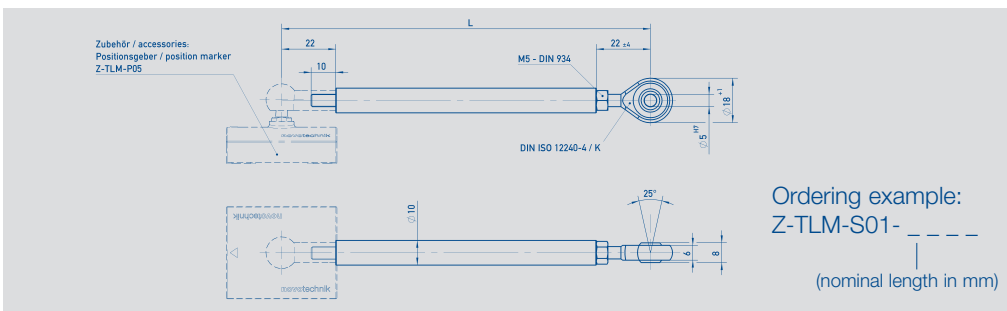
**Z-TLM-P01**  
 Floating position marker for  
 TLM and TMI  
 Art.No. 005651  
 weight approx. 10 g.  
 Working distance 0 - 4 mm



**Z-TLM-P04**  
 Floating position marker for  
 TLM and TMI  
 Art.No. 005654,  
 weight approx. 40 g.  
 Working distance 4 - 15 mm



**Z-TLM-P05**  
 Guided position marke,  
 Art.No. 005655,  
 weight approx. 30 g



**Z-TLM-S01- - - - -**  
 Actuating rod for guided  
 position marker Z-TLM-P05,  
 weight approx. 150 g/m  
 Material aluminium.

Standard nominal length (mm):  
 0075, 0100, 0125, 0150,  
 0200, 0250, 0300, 0350,  
 0400, 0450, 0500, 0600,  
 0800, 1000, 1500, 2000

Other position markers and float position markers see data sheet rod style transducers